



VATECH ASSURANCE

VATECH IMAGING SYSTEMS

**vatech**

## VATECH IMAGING SYSTEMS

About Vatech America	3
Vatech Assurance	4
PaX-i	5
PaX-i Plus	8
A9	11
Smart Plus	14
Green CT 2	18
Green X	21
Ez3D-i	24
EzDent-i	26
EzRay Air Wall	27
EzRay Air Portable	30
EzScan	33
Wave Sensor	35
HD Sensor	37
EzCam	39

# World's Premier Dental Imaging Company

Vatech is a leading manufacturer of radiographic imaging solutions for the medical, dental, and veterinary fields with offices in over 70 countries worldwide.



**MISSION:** *With honesty and integrity, we strive to be the industry leader and preferred partner by providing innovative imaging solutions and first class client services that ultimately enhance the quality of patient care.*



As the US subsidiary of Vatech, Inc. Vatech America is committed to providing the industry with innovative dental x-ray imaging solutions while maintaining a primary focus on ultimately enhancing the quality of patient care.

From the world's first 3-in-1 digital x-ray system to low radiation CBCT devices, Vatech America is the clinicians' preferred vendor for their diagnostic imaging endeavors.

## A History of World Firsts

2005	2007	2008	2009	2013	2017	2020
Launched World's First 3-in-1 Digital X-ray System: <b>Picasso-Trio</b>	Launched World's First Auto-Switching System: <b>PaX-Duo3D</b>	World's First One Shot Cephalometric: <b>PaX-Uni3D</b>	World's First Free FOV System: <b>PaX-Reve3D</b>	Groundbreaking Low Radiation System: <b>Green CT</b>	41-Layer Digital Panoramic Radiograph: <b>PaX-i Insight</b>	World's First Dental Application of Carbon Nano Technology: <b>EzRay Air P</b>



## VATECH ASSURANCE

### What is Vatech Assurance?

Vatech Assurance, a core value of Value Added Technologies, is our promise to our customers that we will not only provide a premium dental imaging system to suit your needs, but also to ensure the value of your investment from becoming obsolete by providing multiple options for upgrading to the newest technologies as they are developed. Whether it's a defined transition strategy to newer technologies, or protection of currently owned technology, Vatech Assurance provides industry leading service, support, warranty coverage, as well as added value that reaches beyond the x-ray itself.

No Asterisks | No Legalese | Just Vatech Assurance



### BUYBACK PROGRAM

#### What is the Vatech Buyback Program?

Within five years of the installation date, Vatech and your supporting dealer will buyback your 2D imaging system, applying 100% of the original purchase price you paid towards an eligible brand new 3D imaging system. Rather than upgrading the hardware of an aging imaging system, Vatech will provide a **BRAND NEW** 3D imaging system if you choose to exercise this policy. 0% Depreciation!

Maintain your upgradability by resetting your technology with a **BRAND NEW** device with the Vatech Buyback Program.



### TRADE IN/UP PROGRAM

#### What is the Vatech Trade in/Trade up Program?

As technology rapidly evolves, protecting your investment from accelerated depreciation can be found exclusively in the Vatech Trade in/Trade up Program.

Vatech will provide a trade in value for your 3D imaging system, utilizing a *lower-than-market depreciation rate*, allowing you to maximize the return for your imaging system when it's time to upgrade to a new 3D device.

Minimize your long term costs, maximize the residual value of your imaging system, and upgrade to newer and more advanced technology with ease by participating in the Vatech Trade in/Trade up Program.

Partnership | Commitment | Peace of Mind | Vatech Assurance

# YOUR PARTNER IN DIGITAL SUCCESS,

**PaX-i**<sup>TM</sup>



## **SUPERIOR IMAGE QUALITY**

- Optimal image for accurate diagnosis

## **TWO DEDICATED SENSORS**

- Specialized sensors for Pano & Ceph  
- Streamlined workflow and prolonged lifespan of sensors

## **USER-FRIENDLY SOFTWARE, EZDENT-I**

- Complete diagnostic and consultation solution

## THE ADVANCED IMAGING SOLUTION FOR ACCURATE DENTAL DIAGNOSIS

The PaX-i provides the most precise and high quality panoramic images by combining image processing and accumulated experience in dental imaging from Vatech. This will increase your diagnostic accuracy for improved treatment planning and patient satisfaction.



## MAKE YOUR DIAGNOSIS EASY AND EFFICIENT WITH VARIOUS CAPTURE MODES



Bitewing Mode



TMJ Mode

SELECTION	ARCH	EXAMINATION MODE
PANO EXAMINATION	Narrow / Normal Wide / Child	Standard / Right / Front / Left
	Orthogonal	Orthogonal Standard / Right / Front / Left Bitewing Standard / Right / Front / Left
SPECIAL EXAMINATION	Normal	TMJ LAT Open / Close TMJ PA Open / Close Sinus LAT / PA

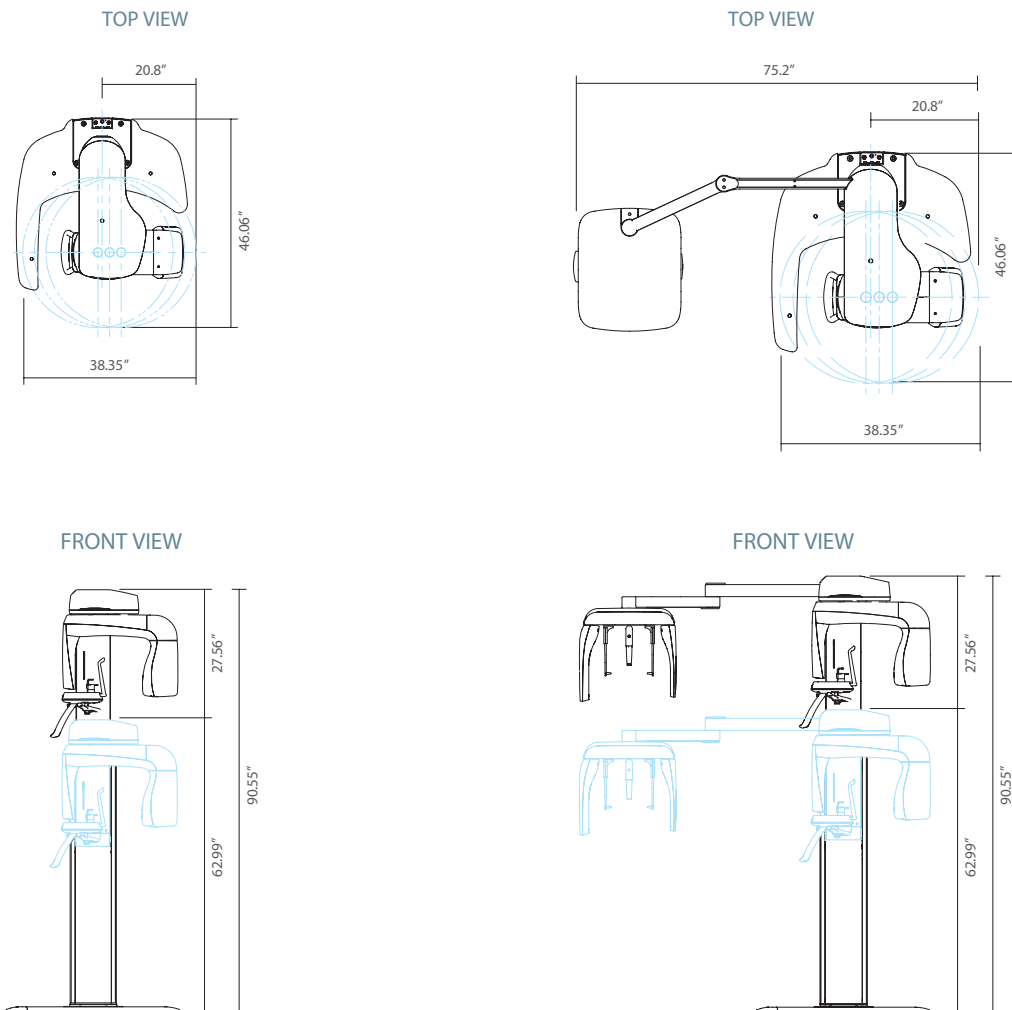
## PRODUCT CONFIGURATION

	PANO	CEPH	
		SCAN	RAPID
PaX-i	•	–	–
PaX-i SC	•	•	–

## SPECIFICATIONS (PaX-i : PCH-2500)

Function	Pano + Ceph		
Scan Time	Pano : HD 13.5 sec / Normal 10.1 sec Ceph : Scan 12.9 sec		Ceph FOV Size
Focal Spot	0.5 mm		<b>SC</b> 8.3"x9.1" [LAT, PA, SMV, Waters View, Carpus] 10.6"x9.1" [Full LAT]
Tube Voltage/ Current	50-90 kVp / 4-10 mA		Gray Scale
			14 bit
			Patient Positioning
			Standing / Wheelchair Accessible

## DIMENSIONS [Unit: Inch]



# PaX-i Plus™



## **RAPID CEPH**

- 1.9 second acquisition time produces superb image quality
- Reduced motion artifacts and faster workflow

## **USER FRIENDLY EZDENT-I SOFTWARE**

- Complete solution for consultation
- Easy to learn, easy to use

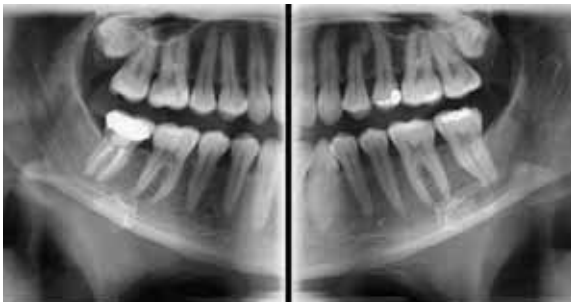


## THE ADVANCED IMAGING SOLUTION FOR ACCURATE DENTAL DIAGNOSIS

The PaX-i Plus provides the most precise and high quality panoramic images by combining image processing and accumulated experience in dental imaging from Vatech. This will increase your diagnostic accuracy for improved treatment planning and patient satisfaction.



## MAKE YOUR DIAGNOSIS EASY AND EFFICIENT WITH VARIOUS CAPTURE MODES



Bitewing Mode



TMJ Mode

SELECTION	ARCH	EXAMINATION MODE
PANO EXAMINATION	Narrow / Normal Wide / Child	Standard / Right / Front / Left
	Orthogonal	Orthogonal Standard / Right / Front / Left Bitewing Standard / Right / Front / Left
SPECIAL EXAMINATION	Normal	TMJ LAT Open / Close TMJ PA Open / Close Sinus LAT / PA

## MINIMIZE MOTION ARTIFACTS WITH RAPID CEPH TECHNOLOGY

The next step in cephalometric technology, Vatech's new Rapid Ceph minimizes motion artifacts and enables faster diagnostic workflow while providing the highest quality digital images.

### GREAT CLINICAL CARE WITH RAPID CEPH TECHNOLOGY



**1.9  
sec**

### PRODUCT CONFIGURATION

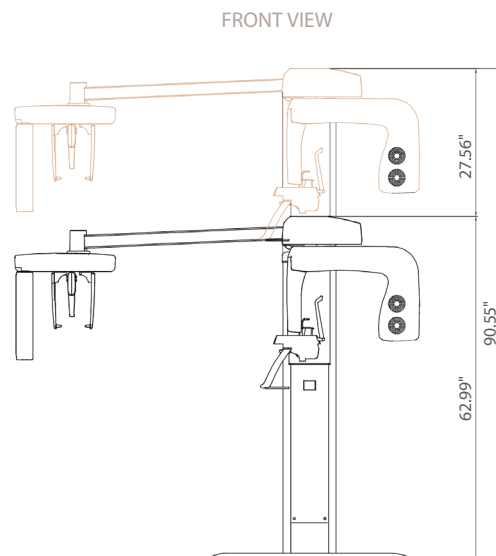
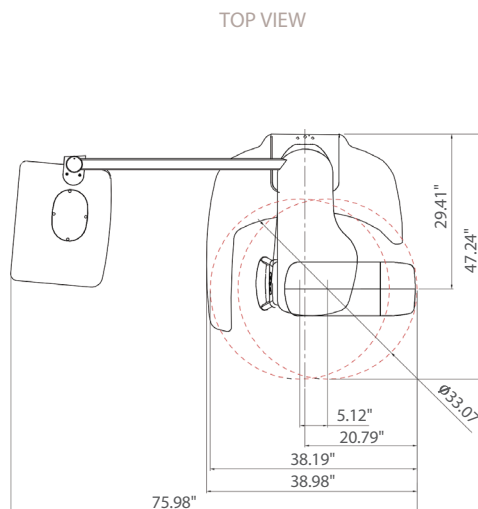
	PANO	CEPH
PaX-i Plus RC	•	•

### SPECIFICATIONS (PaX-i Plus : PCH-30CS)

Function		Pano + Ceph		Weight	With Ceph unit	264.5 lbs. – without Base
Focal Spot		0.5 mm (IEC60336)				352.7 lbs. – with Base
Scan Time	Pano	Normal	10.4 sec	Dimensions	With Ceph unit	75.98 in (L) x 47.24 in (W) x 90.55 in (H)
		HD	14 sec			
	Ceph	1.9 / 3.9 sec				
Gray Scale		14 bit				
Tube Voltage / Current		60 ~ 99 kV / 4 ~ 10 mA				

\* The specifications are subject to change without prior notice.

### DIMENSIONS [Unit: Inch]



# THE START OF YOUR CBCT JOURNEY

**vatech** A9™



- EMERGING AI TECHNOLOGY  
FEATURING MAGIC PAN
- LIMITED FOV 8X8
- MINIMIZE MOTION ARTIFACTS WITH  
RAPID CEPH TECHNOLOGY
- EASE OF USE - NO CANINE,  
NO TEMPLE SUPPORTS

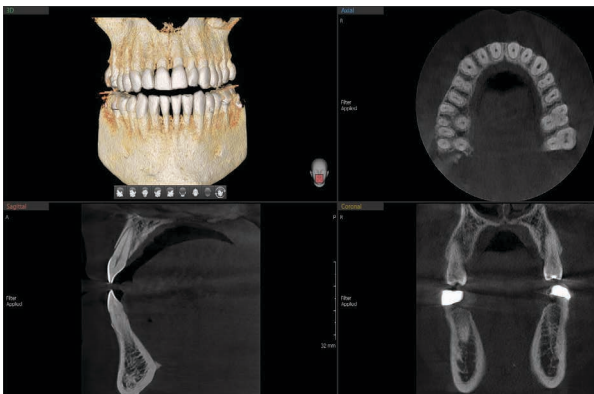
## EMERGING AI TECHNOLOGY FEATURING MAGIC PAN

MAGIC PAN utilizes hundreds of layers of panoramic images during acquisition. Vatech Artificial Intelligence examines all layers, reconstructs, and provides the optimal image.



### LIMITED FOV 8X8

8x8 images enable fundamental diagnoses and treatment planning, including both the maxillary and mandibular areas, in a single scan. It is useful for implant surgeries and diagnoses.



### MINIMIZE MOTION ARTIFACTS WITH RAPID CEPH TECHNOLOGY

The next step in cephalometric technology, Vatech's new Rapid Ceph minimizes motion artifacts and enables faster diagnostic workflow while providing the highest quality digital images.



## PRODUCT CONFIGURATION

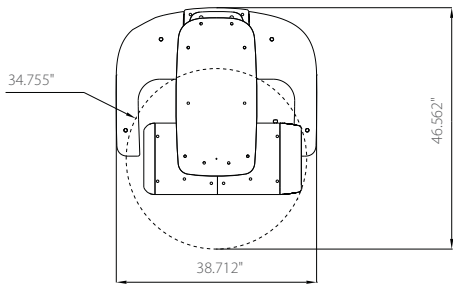
	CBCT	PANO	CEPH
Vatech A9	•	•	-
Vatech A9 RC	•	•	•

## SPECIFICATIONS (vatech A9: **PHT-30CSS**)

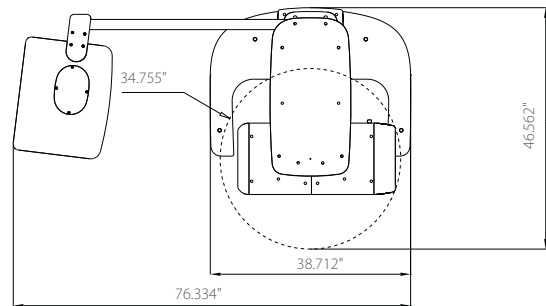
Function		CT + Pano + Ceph
Focal Spot		0.5 mm (IEC 60336)
CT FOV Size		8x8 cm
Voxel Size		0.2 mm / 0.3 mm
Scan Time	CT	18 sec
	Pano	11.9 sec / 14.1 sec
Gray Scale		14 bit
Tube Voltage		60 ~ 99 kV
Current		4 ~ 10 mA
Weight	Without ceph unit	238.76 lbs. (Without Base)
		353.84 lbs. (With Base)
	With ceph unit	296.08 lbs. (Without Base)
		411.16 lbs. (With Base)

\*The specifications are subject to change without prior notice.

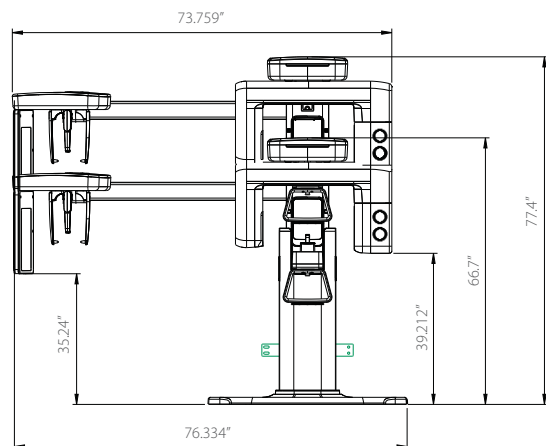
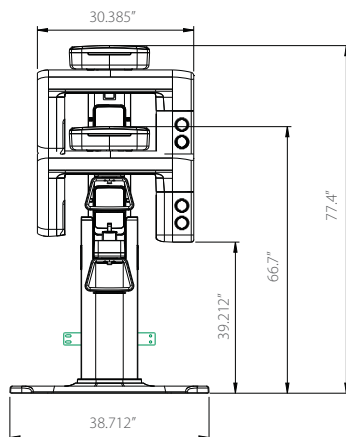
## DIMENSIONS (Unit: Inch)



Top View



Front View



**\*An additional 3 inches (76.2 mm) of space is required behind the unit for wall mount bracket installation (mandatory unless there is a base mount installation).**

**No More** than what you *want*,  
**No Less** than what you *need*.

**Smart Plus**<sup>TM</sup>



-  **ONE SCAN, TWO IMAGES**
-  **EXTENDED ARCH-SHAPED FOV**
-  **INNOVATIVE COMPRESSED SENSING TECHNOLOGY**
-  **3D SCANNING FOR MODEL**

# SMART INNOVATION

## ONE SCAN, TWO IMAGES

One scan with the Smart Plus gives you a CT image and Auto Pano image. This means that patients who require both images do not need to undergo two x-ray scans. The CT and Auto Pano images are displayed within One Viewer as well.



\* Conventional panorama mode is provided.



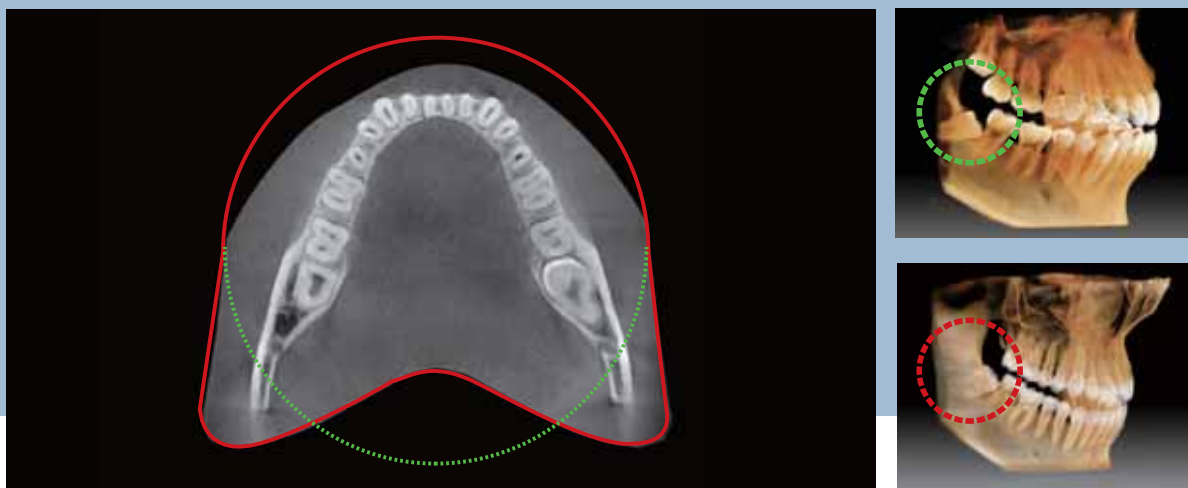
### [ 2D AND 3D IN ONE VIEWER ]

There are many benefits to viewing 2D and 3D images simultaneously.

There is no need to utilize two different software programs and the One Viewer feature presents a professional look for your patients. This layout will help your patients better understand their images and will eventually lead to increased acceptance rates.

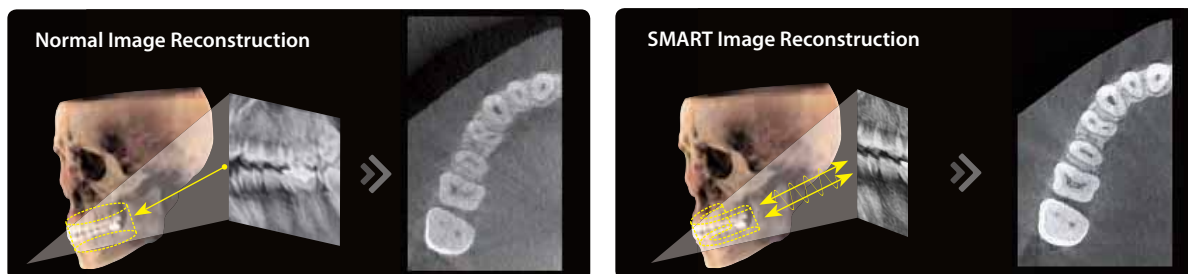
## EXTENDED ARCH-SHAPED FOV

The innovative FOV of the Smart Plus provides an arch-shaped volume, showing a wider view of dentition when compared to other devices with the same FOV. When the tooth is lying on its side, there is a high possibility that the tooth will be cut out of the image. This possibility is eliminated with our "arch-shaped volume" and shows the hidden dentition area.



## INNOVATIVE COMPRESSED SENSING TECHNOLOGY

Our innovative image reconstruction technology has dramatically improved the quality of our 3D scans.



## 3D SCANNING FOR MODEL

3D model scan enables users to store plasters as digital models. The specially designed Jig offers stable protection from partial model to full model.



\*3D scanning for Plaster Cast with FOV 10x8.5 (cm)



## PRODUCT CONFIGURATION

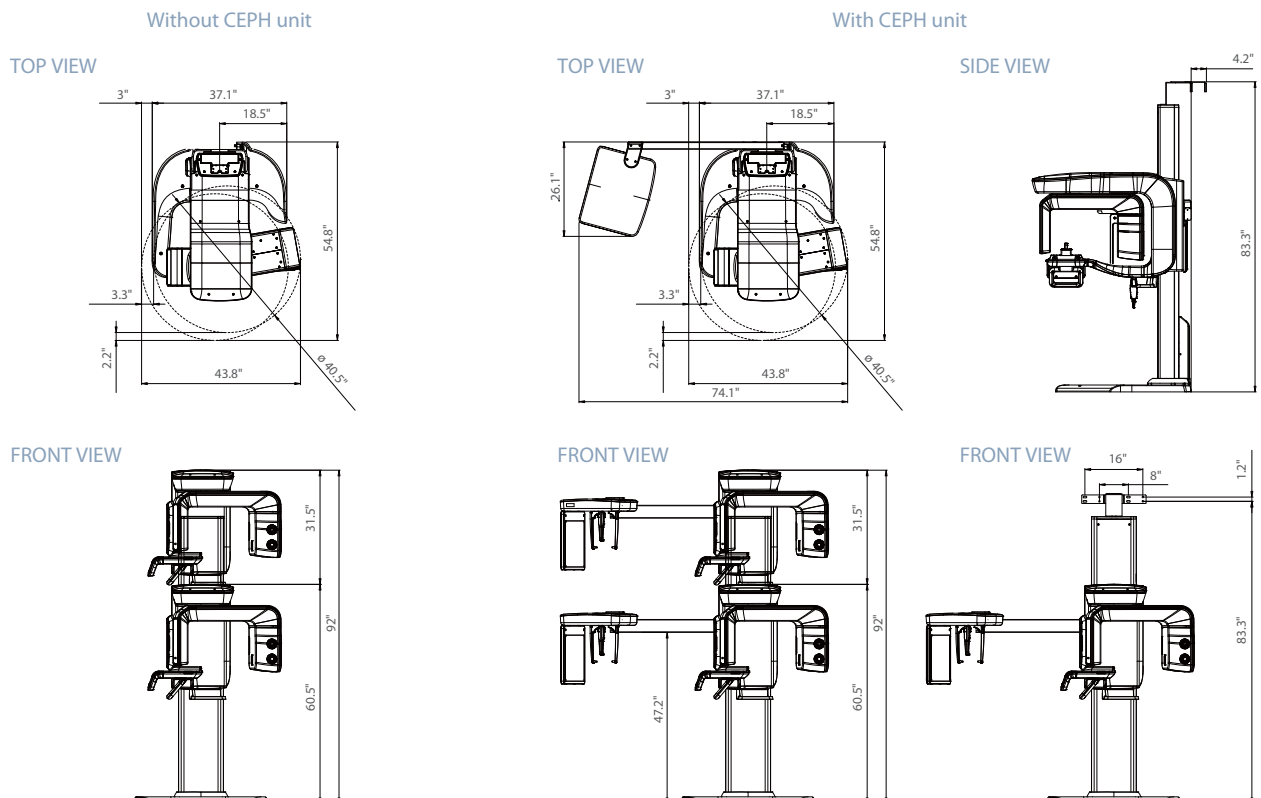
	CBCT	PANO	CEPH
Smart Plus	•	•	-
Smart Plus RC	•	•	•

## SPECIFICATIONS ( Smart Plus : PHT-35LHS )

Function	CT (with Auto Pano) + Pano + Ceph + Model Scan		
Focal Spot	0.5 mm (IEC 60336)		
CT FOV Size	5x5 cm / 10x8.5 cm (Anatomical 12x9 cm)		
Voxel Size	0.08 mm / 0.12 mm / 0.2 mm / 0.3 mm		
Scan Time	CT	18 sec	
	Pano	14.1 sec / 7 sec	
	Ceph	1.9 sec / 3.9 sec	
	3D Model	18 sec	
Gray Scale	14 bit		
Tube Voltage	60 ~ 99 kV		
Current	4 ~ 16 mA		
Weight	Without Ceph unit	302 lbs - without Base	
		418.9 lbs - with Base	
	With Ceph unit	357.1 lbs - without Base	
		474 lbs - with Base	

\*The specifications are subject to change without prior notice.

## DIMENSIONS ( Unit: inch )



**\*An additional 3 inches (76.2 mm) of space is required behind the unit for wall mount bracket installation (mandatory unless there is a base mount installation).**

# THE NEXT GREEN INNOVATION



- LOW DOSE AND HIGH IMAGE QUALITY
- GREEN SCAN TIME
- MULTI FOV SELECTION
- 3D SCANNING FOR MODEL



## LOW DOSE AND HIGH IMAGE QUALITY

What has been developed at Vatech breaks many conventions in dental radiography. It was always believed that with low radiation comes inferior image quality, which renders it useless in clinical diagnosis. However, the Green CT 2 provides clinically diagnosable x-ray scans at a low x-ray dosage. With low dose radiography, achieving clinically diagnosable image quality is the new golden-standard.



Ceph

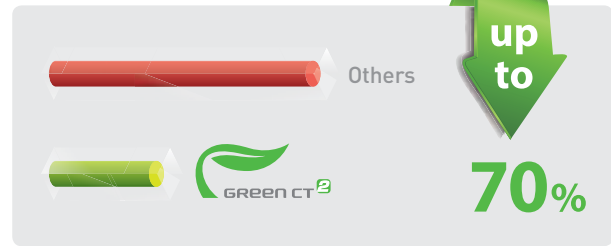


CBCT



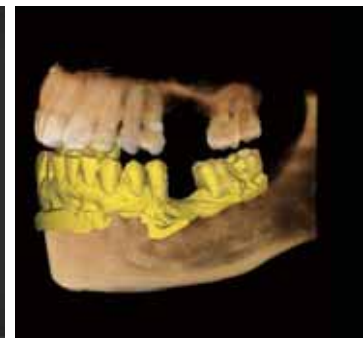
Pano

## Effective Dose Data



## GREEN SCAN TIME

The Green CT 2 minimizes motion artifact and enables faster workflow due to its scan time. It produces superb diagnostic images, which will be a source of pride for any dental practice. Focusing on the highest quality of patient care, Vatech strives to improve the health and safety of your patients.



## MULTI FOV SELECTION

The Green CT 2 offers a range of selectable fields of view. The Multi FOV enables the user to select the optimal FOV mode and minimizes exposure to areas not in the region of interest. Select the proper FOV size among 18x10, 16x9, 13x10, 12x9, 8x9, 8x5, and 5x5 based on a particular diagnostic need. It covers the full arch region, sinus, and left/right TMJ and it suits most oral surgery cases as well as multiple implant surgeries.

Endo & Single implant	Arch	Dual Arch	Sinus & TMJ
5x5	8x5 / 8x9	12x9 / 13x10	16x9 / 18x10
Optimal size to cover 3~4 teeth through capturing ROI	Basic FOV size & select a left or right or center arch	Suitable for multiple implant surgeries	Optimal size for sinus & TMJ diagnosis

\*3D scanning for Plaster Cast with FOV 8x9 (cm)



## 3D SCANNING FOR MODEL

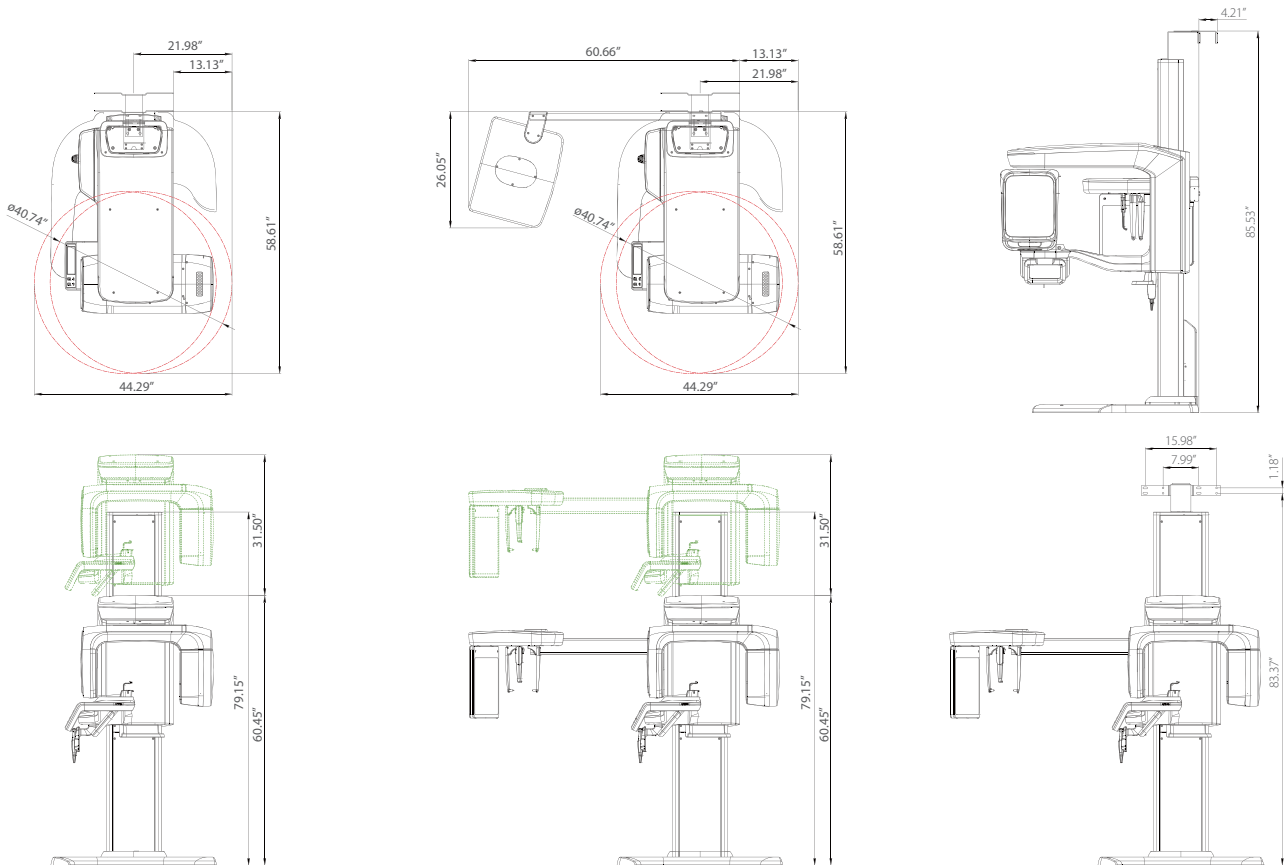
3D model scan enables users to store plasters as digital models. The specially designed Jig offers stable protection from partial model to full model.

SPECIFICATIONS [Green CT 2 : PHT-65LHS]

Function	CT + Pano + Ceph + Model Scan	
Focal Spot Size	0.5 mm (IEC60336)	
CT FOV Size	16x9 cm : Multi [5x5 / 8x5 / 8x9 / 12x9 / 16x9 cm] 18x10 cm : Multi [5x5 / 8x5 / 8x9 / 13x10 / 18x10 cm]	
Voxel Size	5 x 5	0.08 mm / 0.12 mm
	8 x 5	0.12 mm / 0.2 mm
	8 x 9	0.12 mm / 0.2 mm
	12 x 9	0.2 mm / 0.3 mm
	13 x 10	0.2 mm / 0.3 mm
	16 x 9	0.2 mm / 0.3 mm
	18 x 10	0.2 mm / 0.3 mm
Scan Time	Pano	14.1 sec / 7.0 sec
	Ceph	3.9 sec / 1.9 sec
	CBCT	9.0 sec (12x9 - 18x10) / 4.9 sec (5x5 - 8x9)
Gray Scale	14 Bit	
Tube Voltage / Current	60 - 99 kVp / 4 - 16 mA	
Weight	Without CEPH unit	295.4 lbs - without the Base
		412.3 lbs - with the Base
	With CEPH unit	350.5 lbs - without the Base
		467.4 lbs - with the Base
Dimensions	Without CEPH unit	44.29" (L) x 58.61" (W) x 91.95" (H)
	With CEPH unit	73.78" (L) x 58.61" (W) x 91.95" (H)

\*The specifications are subject to change without prior notice.

DIMENSIONS [Unit: Inch]



**\*An additional 3 inches (76.2 mm) of space is required behind the unit for wall mount bracket installation (mandatory unless there is a base mount installation).**

# SPEED, QUALITY, PREDICTABILITY NO COMPROMISE

## Green X™

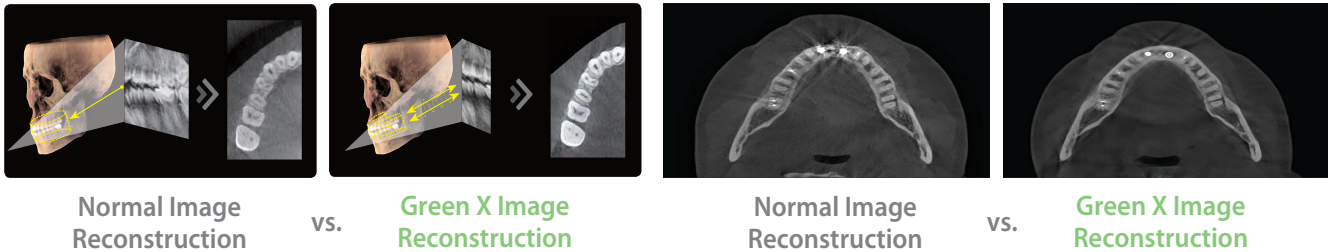


- INNOVATIVE 3RD GENERATION COMPRESSED SENSING TECHNOLOGY
- HIGHEST RESOLUTION WITH 0.05 mm VOXEL SIZE
- LARGE SINGLE SCAN FOV
- FASTEST SCAN TIME
- GREEN LOW DOSE WITH HIGH QUALITY IMAGES



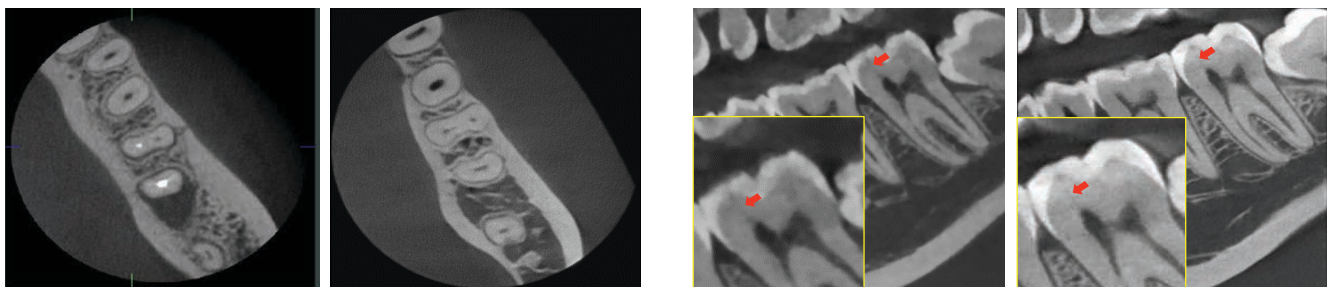
## INNOVATIVE 3<sup>RD</sup> GENERATION OF COMPRESSED SENSING TECHNOLOGY

Vatech dramatically improves its image quality with much less artifact and noise via its Compressed Sensing Technology (CST), iterating its reconstruction process 10 times more than the normal amount to depict the object's true representation.



## ENDO MODE WITH HIGH RESOLUTION

With its 4cm x 4cm volume mode and 50 micron voxel size, the endo mode will optimize treatment of highly-focused regions of interest. It is ideal for endodontic use because the dentist is able to achieve an extraordinary image in a high-resolution voxel size.



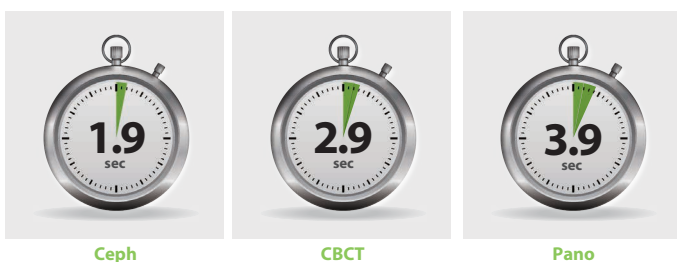
Dental Mode vs. Endo Mode

Dental Mode vs. Endo Mode

## MULTI FOV SELECTION

The Green X offers a range of selectable fields of view. The Multi FOV option allows users to select the optimum FOV mode while minimizing exposure to areas that are not in the region of interest. The selection includes the following FOV sizes for diagnostic needs: 18x15, 16x11, 16x9, 12x9, 8x8, 8x5, 5x5 and 4x4. These options cover the full arch region, sinus and left/right TMJ, and suits most oral surgery cases and multiple implant surgeries.

	50mm	80mm	90mm	110mm	150mm
	<b>FOV 4x4/5x5</b>	<b>FOV 8x5/8x8</b>	<b>FOV 12x9</b>	<b>FOV 16x9/16x11</b>	<b>FOV 18x15</b>
<b>REGION</b>	- Single tooth capture	- Central dentition - TMJ (R or L)	- Dual arch including sinus and nerve - TMJ (R or L)	- Back border of jaw (Ramus) - Dual arches back to the 3 <sup>rd</sup> molars plus sinus - Central incisor to spine	- Back border of jaw (Ramus) - Dual arches back to the 3 <sup>rd</sup> molars plus sinus - Central incisor to spine
<b>CLINICAL IMPLICATION</b>	- Implant single site - Endo - Perio - Complex impaction (3rd) - OMS - Supernumerary : Ortho	- Implantology - Guided Surgery - General Dentist - OMS - Orthodontics	- Surgical guides - Sinus lifts - Bone grafting - Bi lateral sinus augmentation	- Surgical Guides - Sinus lifts for both sinuses - Complex orthognathic cases - Simultaneous TMJ diagnosis (16x11)	- Surgical Guides - Sinus lifts for both sinuses - Complex orthognathic cases - Simultaneous diagnosis for both TMJs



## GREEN SCAN TIME

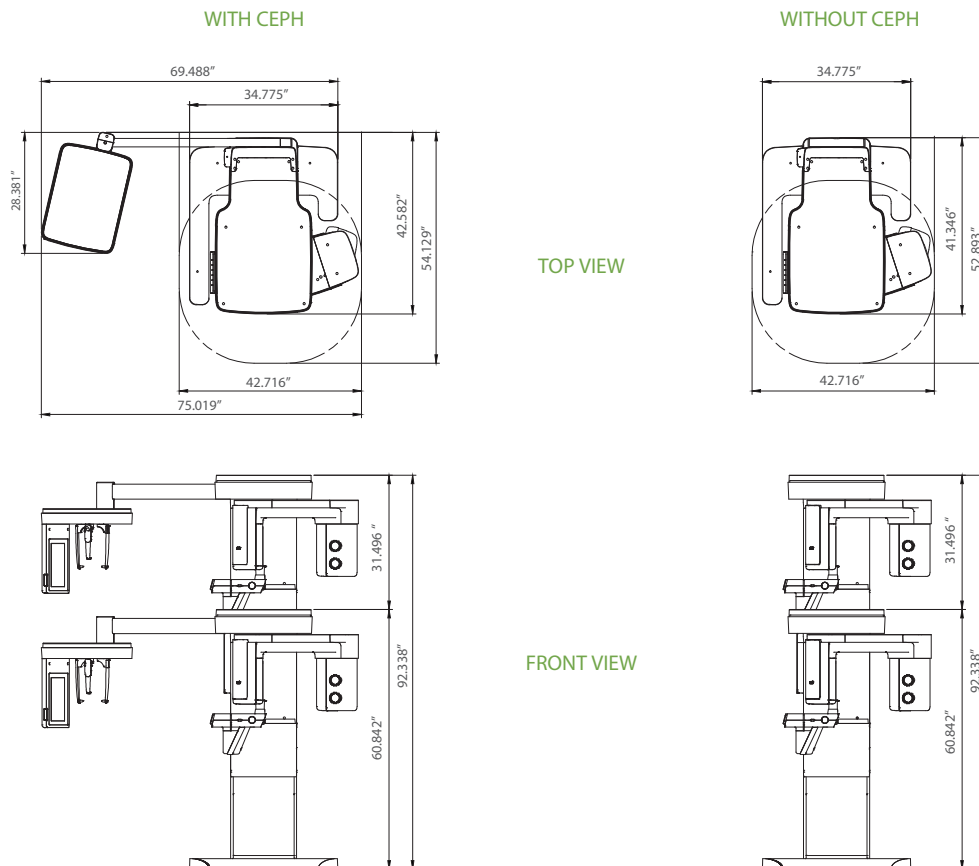
Due to its scan time, the Green X minimizes motion artifact and enables faster workflow. It produces superb diagnostic images, which will be a source of pride for any dental practice. Focusing on the highest quality of patient care, Vatech strives to improve the health and safety of your patients.

## SPECIFICATIONS [Green X 18 : PHT-75CHS]

Function	CT + Pano + Ceph + Model Scan	
Focal Spot Size	0.5 mm (IEC 60336)	
CT FOV Size	18x15: 4x4, 5x5, 8x5, 8x8, 12x9, 16x11, 18x15 cm 16x9: 4x4, 5x5, 8x5, 8x8, 12x9, 16x9 cm	
Voxel Size	4x4	0.05 mm
	5x5	0.08 mm / 0.12 mm
	8x5 / 8x8	0.12 mm / 0.2 mm
	12x9 / 16x9 / 16x11 / 18x15	0.2 mm / 0.3 mm
Scan Time	Pano	4.0 sec / 14.1 sec
	Ceph	1.9 sec / 4.9 sec
	CBCT	2.9 sec (5x5 - 8x8) / 9.0 sec (12x9 - 18x15) / 18.0 sec (4x4)
Gray Scale	14 Bit	
Tube Voltage / Current	60 - 99 kVp / 4 - 16 mA	
Weight	Without CEPH unit	365.74 lbs - without Base
		487.00 lbs - with Base
	With CEPH unit	420.86 lbs - without Base
		542.11 lbs - with Base
Dimensions	With CEPH unit	75.019" (L) x 54.129" (W) x 91.157" (H) - without Base
		75.019" (L) x 54.129" (W) x 92.338" (H) - with Base
	Without CEPH unit	42.716" (L) x 52.893" (W) x 91.157" (H) - without Base
		42.716" (L) x 52.893" (W) x 92.338" (H) - with Base

\*The specifications are subject to change without prior notice.

## DIMENSIONS [Unit: Inch]



**\*An additional 3 inches (76.2 mm) of space is required behind the unit for wall mount bracket installation (mandatory unless there is a base mount installation).**

# Ez3D-i

## CUTTING-EDGE SOFTWARE FOR CUTTING-EDGE DIAGNOSTICS

Powered by a new 3D VR graphics engine, Ez3D-i is the ideal tool to quickly and easily obtain the correct perspectives needed for accurate, true-to-measurement diagnosis.

Quick and Easy **Dental 3D Imaging Software** for Every Dentist



### PROVIDES QUICK AND ACCURATE DIAGNOSTIC TOOLS

- Various VR Coloring Modes and 2D Filters
- Intuitive Implant Simulation Tools
  - Collision Detection (Implant/Canal)
  - Bone Density Verification
  - Oblique Viewing Tools
- 3D Panoramic Navigation
- 2-Click Airway Analysis
- Multiple Sectional Curves and Segmentation Tools

### CONSULTATION MODES INCLUDED

- Presentation Mode
- Over 200 Consultation Videos
- Easy to Capture Diagnostic Image
- 3D Panorama



#### Supports Various VR Coloring modes

- Teeth Mode
- Bone Mode
- Soft-Tissue Bone Mode
- MIP Mode
- Soft-Tissue Mode



#### Virtual Consultation Tool

- Over 200 Consultation Videos
- Creation of Personalized Consultation Materials



#### Implant Simulation

- 3 Click Implant Simulation
- Collision Detection
- Bone Density
- 3D Panorama
- Oblique View Mode

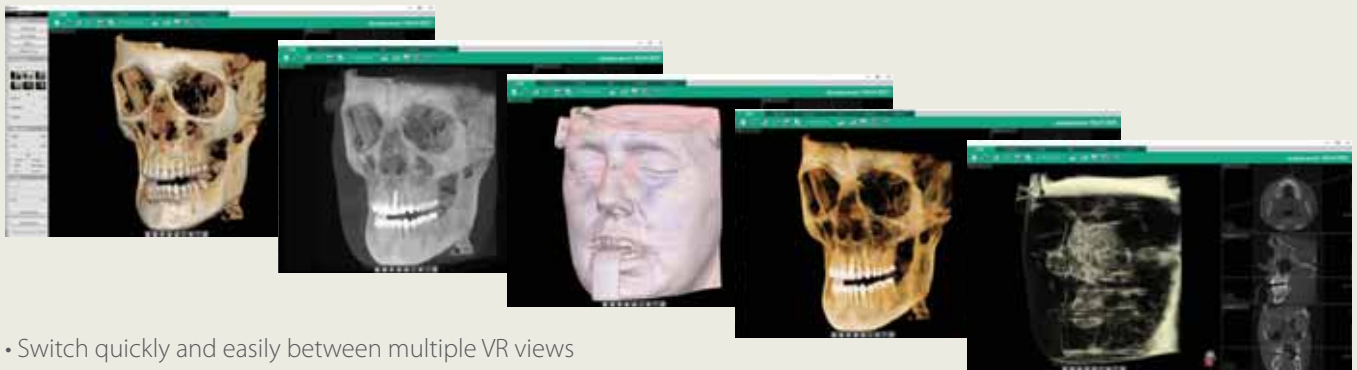


#### Provides Quick and Accurate Cross-Section

- 8 Multi-Section(Curve) Management
- One-Click Cross Section (3D PAN tab)
- Canal Drawing



## VARIOUS VR COLORING MODES AND 2D FILTERS



- Switch quickly and easily between multiple VR views

## 2-CLICK AIRWAY ANALYSIS



- With two clicks, obtain the volume and minimum axial area of an airway for efficient airway diagnosis

## FEATURING VATECH'S VIRTUAL CONSULTATION TOOL



- With over 200 unique animations, the virtual consultation tool gives you the tools to not only educate patients on treatment plans, but also to show how the plan is relevant to their specific case

## 3D PANORAMIC NAVIGATION



By clicking 3D Navigator and positioning to ROI, it's easy to verify 2D sectional images

- Easily navigate and obtain a sectional view by utilizing our new and intuitive 3D panoramic navigation mode
- Simply click and drag our viewing window over the 3D panorama to obtain a sectional view of that region
- Angulation made easy

## IMPLANT SIMULATION



MPR tab

- Available in all viewing modes in Ez3D-i (MPR/Section/3DPan)
- Colorized bone density viewing modes available
- Adjustable automatic implant collision detection function between multiple implants and/or nerve canal

## THE WORLD'S FIRST CLINICAL IMAGING & PATIENT CONSULTATION SOLUTION



### Featuring... Vatech's Virtual Consultation Tool (VCT)

With over 200 unique animations, the virtual consultation tool gives you the tools to not only educate patients on treatment plans, but also to show how the plan is relevant to their specific case.



### Get The Most Out Of Your Images

Using our revamped Sharpening and Max Sharpening tools, enhance the quality of your images even further than ever before.



### Manage Your Images, The Easy Way

Organize and export your images quickly and efficiently and avoid complicated procedures and training using EzDent-i's intuitive Click-And-Drag based interface.





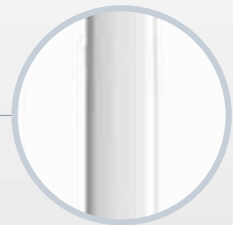
# EzRay Air™ Wall

## WEIGHT INNOVATION

WALL-MOUNTED INTRAORAL X-RAY



Round Shape Design



Stable Arm



One-Handed Grip

## WEIGHT INNOVATION WITH CNT (CARBON NANO TECHNOLOGY)

The wall mounted EzRay Air Wall is a lightweight x-ray device designed for easy handling and stable positioning for optimal image quality on your intraoral x-rays.

The EzRay Air Wall's lightweight tube head provides users with a stable and easy to use x-ray source which maximizes image clarity and optimizes workflow.



## SMART DIAL FOR ALL FUNCTIONS

The operating panel located on the tube head creates a much simpler and much faster workflow. Using the smart dial, practitioners will notice a decrease in preparation time and less of a need to remember complicated control buttons and configurations.

## SECURE CLEAR IMAGES WITH A 0.4MM FOCAL SPOT

Compared to other intraoral x-rays on the market, the EzRay Air Wall provides optimal image quality and additional diagnostic value with a 0.4mm focal spot.



\* Exposure Condition : 65kV, 3.0mA

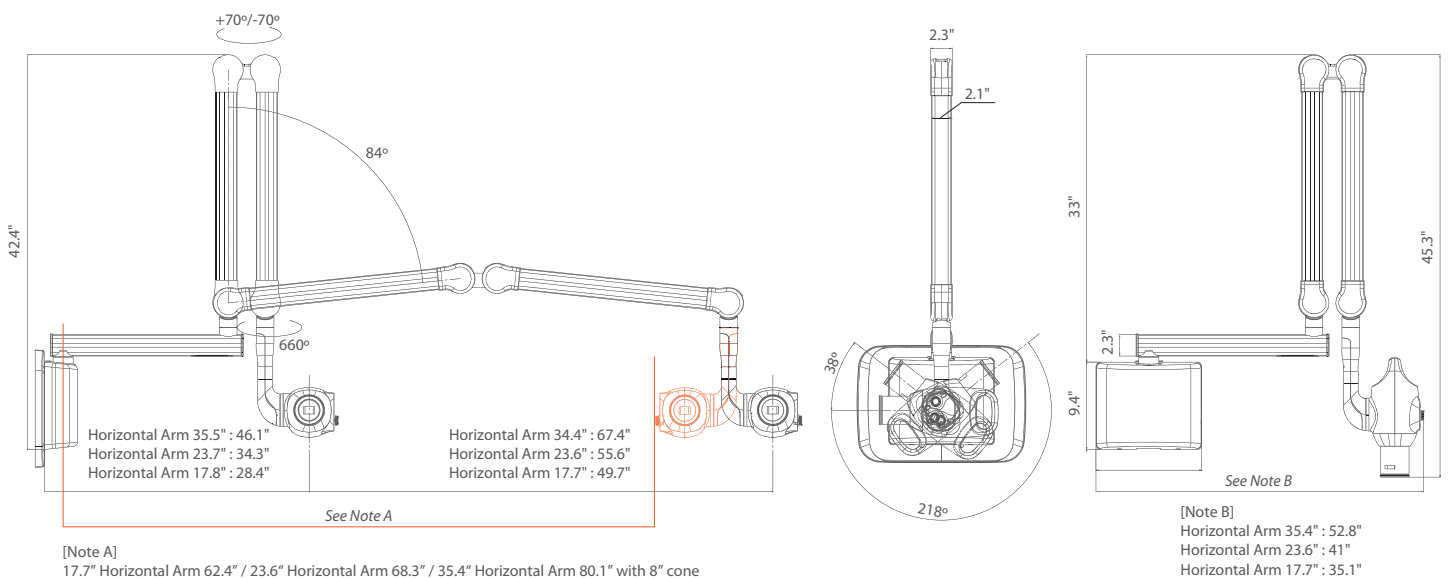


## SPECIFICATIONS [EzRay Air Wall : VEX-S300W]

Focal Spot	0.4 mm (IEC 60336)
Tube Voltage	65 kV
Tube Current	3.0 mA
Exposure Time Range	0.05 ~ 0.5 (0.01s increment)
Source to Skin Distance	Min. 7.9 inch
X-ray Field	<b>Default:</b> : 60 mm Round, 30x40 mm Rectangular / <b>Optional:</b> 20x30 mm Rectangular
Arm Length [Option]	62"/ 68"/ 80" *See note A
Accessories	Remote Exposure Switch (Hand Switch / Doorbell Switch)
Weight	56.9 lb (Arm Length 62")
	58.0 lb (Arm Length 68")
	61.1 lb (Arm Length 80")

\* The specifications are subject to change without prior notice.

## DIMENSIONS [Unit: inch]





# EzRay Air<sup>TM</sup> Portable

*WEIGHT INNOVATION*

WORLD'S FIRST CNT (CARBON NANO TECHNOLOGY) PORTABLE X-RAY

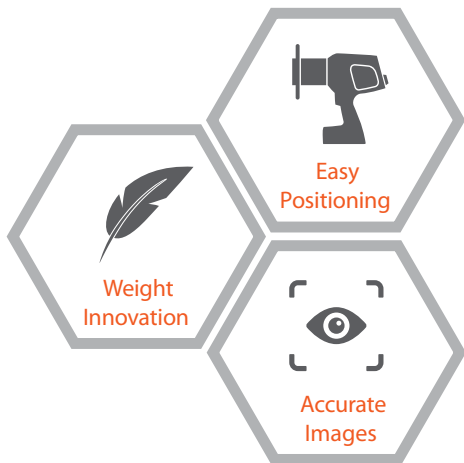
FASTER WORKFLOW



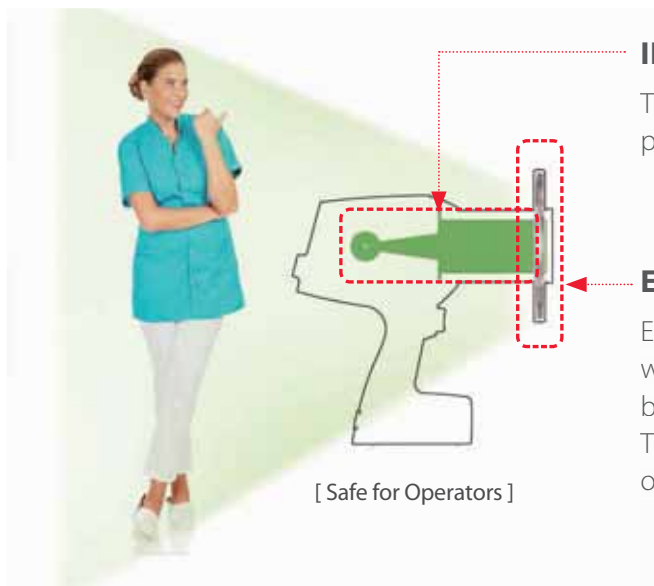
## WEIGHT INNOVATION WITH CNT (CARBON NANO TECHNOLOGY)

The world's first dental application of Carbon Nano Technology.

The EzRay Air Portable is a lightweight portable x-ray device that is designed for easy handling and stable positioning, delivering optimal image quality for your intra-oral x-ray images.



## DOUBLE SCATTER SHIELD DESIGN FOR OPERATOR SAFETY



### INTERNAL SHIELDING

The internal radiation shielding is perfectly designed to protect the operator from radiation leakage.

### EXTERNAL BACKSCATTER SHIELDING

Exposure to radiation results from the beam interacting with the surface of the patient, causing radiation to bounce off as radiation scatters in different directions. The backscatter shield significantly reduces the amount of radiation being reflected.

## NO WARMUP TIME

With no initial start-up delay for conventional x-ray sources to warm up, the EzRay Air Portable's Carbon Nano Technology optimizes workflow by allowing for quicker exposure after you initially turn on the device.



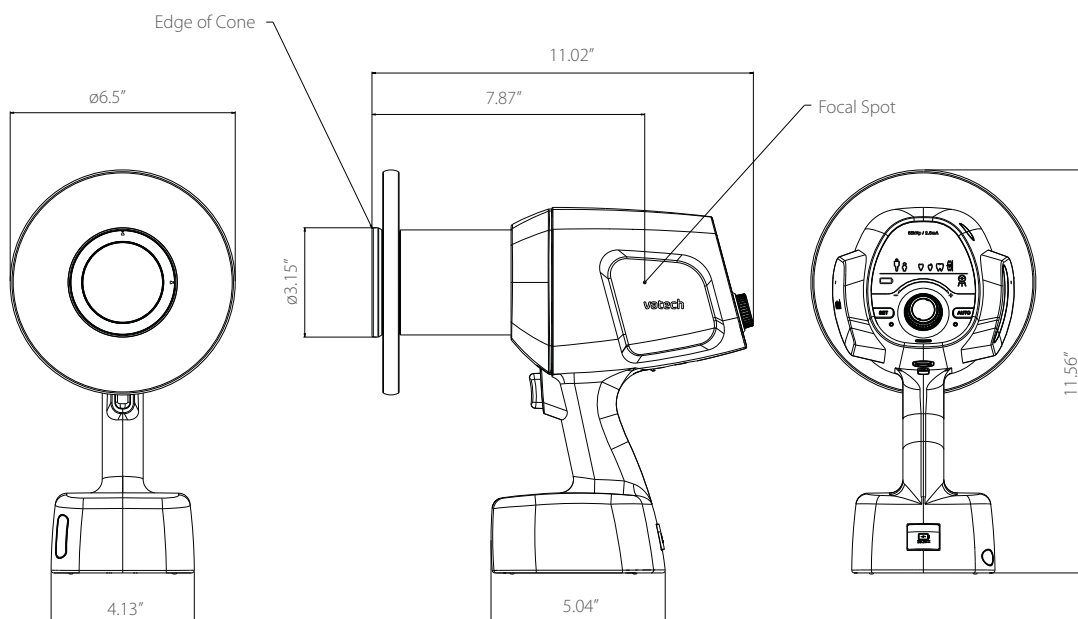


## SPECIFICATIONS [EzRay Air Portable: VEX-P300]

Focal Spot	0.4 mm (IEC 60336)
Tube Voltage (kV)	65 kV
Tube Current (mA)	2.5 mA
Exposure Time	0.05 ~ 1.0 sec
Total Filtration	Min. 1.5 mm Al
Source to Skin Distance	200 mm
X-ray Field	<b>Default:</b> 60 mm Round, 30 x 40 mm Rectangular / <b>Optional:</b> 20 x 30 mm Rectangular
Maximum Duty Cycle	1 : 60
Power Input	21.6 V
Weight	4.7 lbs. (2.1 kg)

\* The specifications are subject to change without prior notice.

## DIMENSIONS [Unit: Inch]





# EXPAND YOUR DIGITAL WORKFLOW

## EzScan™



### SIMPLE AND INTUITIVE INTERFACE FOR AN IMPROVED SCANNING EXPERIENCE

- Essential functionality to complete your treatment plan
- Designed with simplicity for quality performance



### CASE SHARING

- EzScan Cloud is a user friendly module for sharing digital impressions with the lab of your choice



### QUICK SCAN TIME FOR WORKFLOW EFFICIENCY

- Full arch scans in under 2 minutes

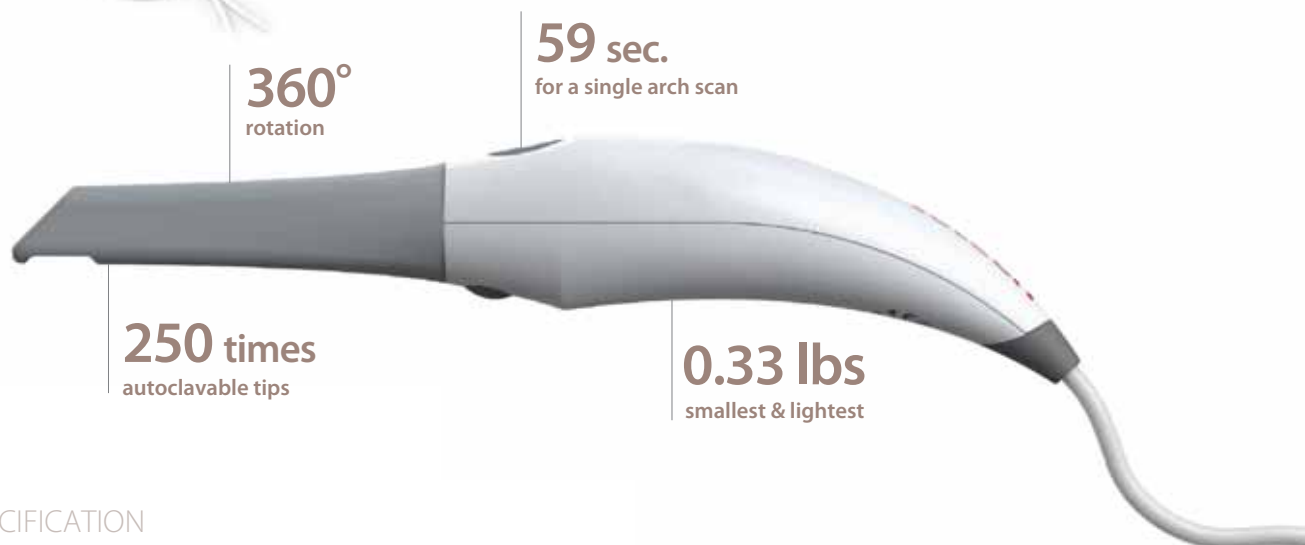


### OPEN PLATFORM WITH NO CONTINUED FEES

- Effortless export to your treatment planning software
- Automatic updates at no additional cost

## BRING SIMPLICITY TO YOUR WORKDAY WITH AN ERGONOMICALLY DESIGNED LIGHTWEIGHT SCANNER

The EzScan is a digital 3D imaging solution designed to bring simplicity to your work. The solution includes a pre-calibrated scanner, three autoclavable tips, and an optimized acquisition PC with the EzScan software pre-installed to ensure that you spend less time installing and more time scanning. The EzScan-i software features an intuitive, user-friendly interface that makes it easier than ever to meet all of your restorative, orthodontic, and implant needs.



**360°**  
rotation

**59 sec.**  
for a single arch scan

**250 times**  
autoclavable tips

**0.33 lbs**  
smallest & lightest

### SPECIFICATION

FOV	12 x 14 mm	Features	True Color / Powder Free
Scan Time (Full Arch)	Less than 2 min.	File Output	STL, PLY, OBJ, DWOS
Modeling Time (Full Arch)	Less than 1 min.	System	Open
Weight	0.33 lbs	Connector	USB Type-A

# Wave Sensor™

## SHAPED FOR COMFORT



### PATIENTS AGREE "WAVE SENSOR IS COMFORTABLE"

Taking an intraoral image can be a painful experience for patients when taken with a rigid edged sensor. Our Wave Sensor, however, is different!

The Wave Sensor reduces patient discomfort thanks to its patient-oriented design.

#### Resilient and Comfortable to the Touch



#### Ergonomically Rounded and Angled Corners



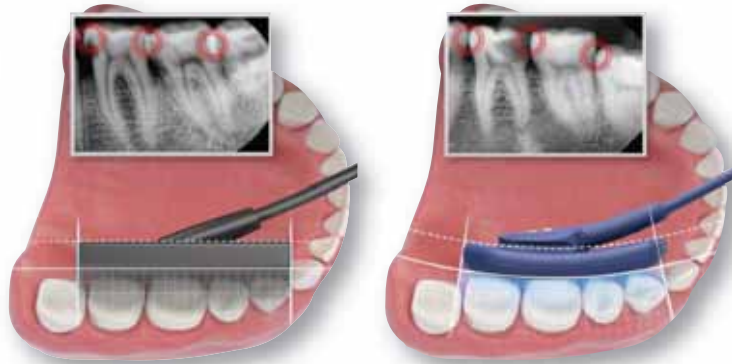
Suitable for  
Small Arches



## ACCOMMODATING EDGES REVEAL HIDDEN AREAS

The Wave Sensor's elastic edge allows your staff to position the sensor much easier than before. The Wave Sensor conforms to the shape of the lingual surface of the teeth and allows for better adjustment to the X-ray source for a perfect alignment. It also reduces an overlap of image between the teeth, ensuring a clearer image; revealing hidden areas that is not normally found.

The Wave Sensor assists you and your team to make precise diagnosis.



## IP68 | HIGHEST LEVEL OF INGRESS PROTECTION

The Wave Sensor is rated IP68; It is classified to have complete protection against contact from dust and is able to be immersed under water for a prolonged period of time. Thanks to its high level of protection, the sensor may be submerged in sterilant in order to sterilize it from microorganisms such as Streptococcus, Streptococcus Mutans and Mycobacterium Tuberculosis.

IP	6	8
Ingress Protection	First Digit: Ingress of Solid Objects	Second Digit: Ingress of Liquids

### SPECIFICATIONS [EzSensor Soft]

Detector	CMOS	Pixel Size	14.8 $\mu$ m
Theoretical Resolution	33.78 lp/mm	Dynamic Range	12 bit
Active Area (WxL)	Size 1.0 : 1.18" x 0.78" Size 1.5 : 1.30" x 0.94" Size 2.0 : 1.73" x 1.28"	Dimensions (WxLxT)	Size 1.0 : 1.48" x 1.04" x 0.20" Size 1.5 : 1.61" x 1.20" x 0.31" Size 2.0 : 1.73" x 1.28" x 0.31"
Exterior Material	Silicone (Bio-compatibility)	Cable Length	Under 3m

\* The specifications are subject to change without prior notice.

### DIMENSIONS [Unit: Inch]



# REDEFINING INTRAORAL SENSORS

## **HD** Sensor

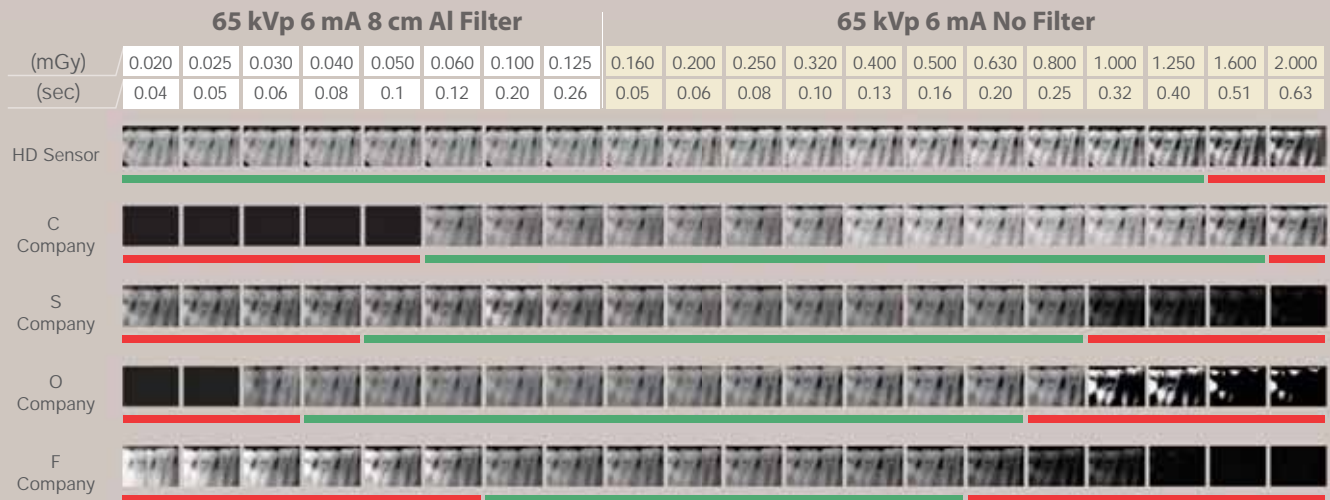


-  EXPERIENCE THE HIGHEST RESOLUTION
-  4.8 MM ULTRA-SLIM DESIGN
-  NEW CONTRAST FILTERS FOR YOUR PERFECT IMAGE



## HD EXPERIENCE THE HIGHEST RESOLUTION

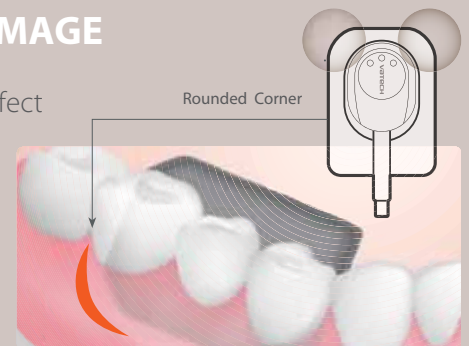
The HD Sensor is clinically usable at a wide range of exposure settings and is more consistent than all of the other sensors in the market. Practitioners benefit from reducing exposure-related retakes and find it less time consuming. Also, patients benefit from the reduction of radiation exposure. With our high sensitivity sensor, you can capture diagnosable images under any condition, even when using an old x-ray source.



## NEW CONTRAST FILTERS FOR YOUR PERFECT IMAGE

Switch quickly and easily among seven new contrast filters to find your perfect diagnostic image. Higher contrast filters can be utilized for periodontics, while lower contrast filters can be used for caries detection and restorative dentistry.

With the HD Sensor, you will always have these filters at your disposal.



### SPECIFICATIONS (HD Sensor : IOS-U10IF / IOS-U15IF / IOS-U20IF / IOS-U10VF / IOS-U15VF / IOS-U20VF)

Detector	CMOS	Pixel Size	14.8 $\mu$ m
Theoretical Resolution	33.78 lp/mm	Dynamic Range	12 bit
Active Area (WxL)	Size 1.0 : 0.79" x 1.18" Size 1.5 : 0.94" x 1.30" Size 2.0 : 1.02" x 1.42"	Dimensions (WxLxT)	Size 1.0 : 1.00" x 1.45" Size 1.5 : 1.14" x 1.55" Size 2.0 : 1.23" x 1.69"
Thickness	0.19"	Cable Length	2.7 m

\* The specifications are subject to change without prior notice.

#### [ Intended use ]

An HD Sensor is intended to collect dental x-ray photons and convert them into electronic impulses that may be stored, viewed, and manipulated for diagnostic use by dentists.

# EzCam

## USB INTRAORAL CAMERA



### A LIGHTWEIGHT CAMERA INTELLIGENTLY DESIGNED FOR EASE OF USE

- Real auto focus intraoral camera.
- Automatic device power control when viewing software is turned on.
- Equipped with an aspheric lens that eliminates distortion and provides a more uniform image quality.
- Provides more detailed images with designs to minimize the light reflection of the tooth surface.
- Two easy-to-use capture buttons.
- Auto-installation of capture program when device is plugged into laptop.



"High definition image without distortion"

### SPECIFICATIONS

Image sensor:	CMOS / 5 Mega pixel	Length of cable:	USB2.0 / 3m
Resolution:	1280 x 720	Dimensions:	0.94" (w) x 0.91" (d) x 7.80" (h)
Light source:	2 White LEDs	Weight:	39.5g (0.087 lbs)
Focus range:	9mm~35mm (Auto focus)	Operating Voltage:	DC5V/ 500mA
Angle of view:	62°		



**vatech**

Vatech America, Inc. | Tel: (201) 210-5118 | [sales@vatechamerica.com](mailto:sales@vatechamerica.com) | 03 / 2023

[www.vatechamerica.com](http://www.vatechamerica.com)